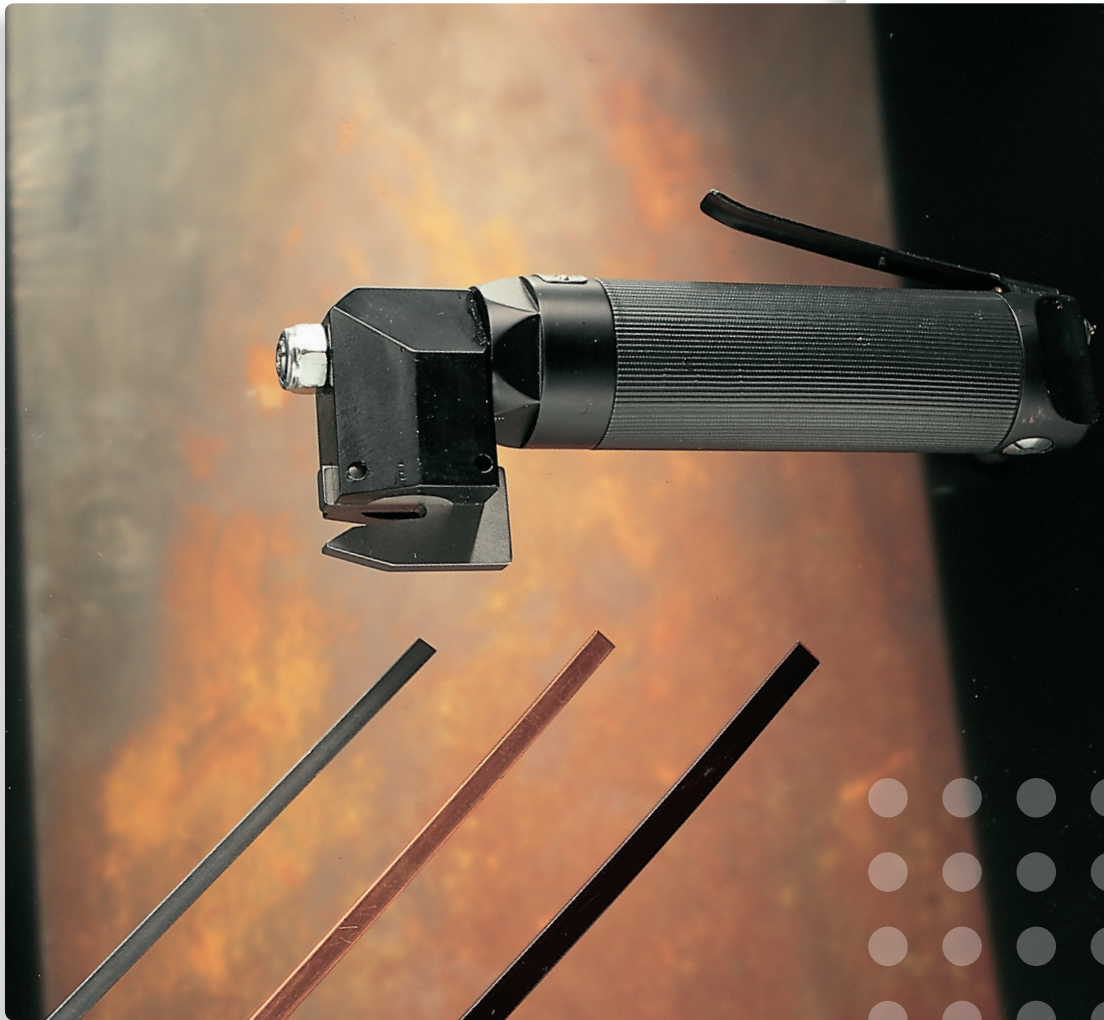


BAND CUTTER LINDOVA TA10

SEE OUR ENTIRE PRODUCT RANGE AT: WWW.LINDOVA.SE



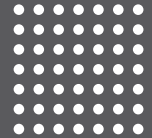
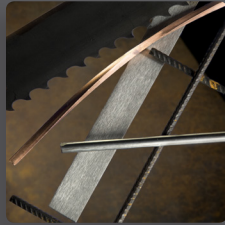
Air hydraulic cutting tool for steel band up to 33x2.5 mm

Lindova TA10 is an air hydraulic cutting tool. The design allows the user to work using rapid strokes and considerable force. The cut is burr-free.

TA10 is available for both fixed workstations and mobile use.

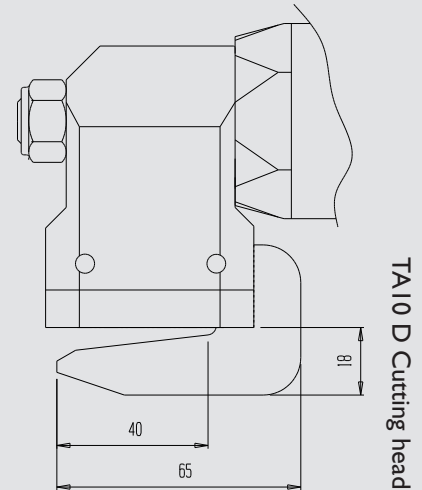
The tool is both light weight and well-balanced to minimize the strain on the user. The air hydraulics also mean that the tool runs silently and is completely vibration-free.

The tool has few moving parts and has an extremely high level of operational reliability. And because we both design and manufacture the TA10 Band Cutter ourselves, we can guarantee both a complete stock of spare parts and rapid service when required.



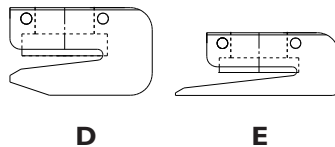
BAND CUTTER LINDOVA TA10

SEE OUR ENTIRE PRODUCT RANGE AT: WWW.LINDOVA.SE



TA10 D Cutting head

TA10 Cutting head



D

E

Application	Steel band	Steel band
Max dim.	33x2.5 mm	33x1 mm

Drive unit

Designation	Cutting pressure*	Weight	Length	Ø Cylinder
TA10/D-327	10 kN	1.4 kg	259 mm	52 mm
TA10/D-427	14,5 kN	1.5 kg	266 mm	60 mm
TA10/E-327	10 kN	1.4 kg	259 mm	52 mm

Vibration level: < 2.5 m/s² **CE**

Noise level: 63 dB (A)

* At 6 bar (90 Psi) pressure