

# SETTING TOOL XT206

SEE OUR ENTIRE PRODUCT RANGE AT: [WWW.LINDOVA.SE](http://WWW.LINDOVA.SE)



**SPC**  
SETTING PROCESS  
CONTROL

## Easy-to-use assembly tool for blind rivet nuts

XT206 provides **UNIQUE PROCESS CONTROL** to ensure that the rivet is always assembled with the correct stroke length entered by the operator. The process stops if any deviation is detected. Because the rivet is assembled with the force determined by the application, the tool will only use the exact amount of force necessary.

**THIS POWER-SAVING AUTOMATION** is one of the features making the tool highly reliable and means that minimum maintenance is required.

The components of this well-balanced tool are made of highly durable aluminium and steel. These specially selected materials combine strength and low weight to minimize strain on the operator.



# SETTING TOOL XT206

SEE OUR ENTIRE PRODUCT RANGE AT: [WWW.LINDOVA.SE](http://WWW.LINDOVA.SE)

The operator assembles the rivet using **ONE TRIGGER MECHANISM**. Threading off is automatic. The stroke length can be simply adjusted to achieve optimum heading, which gives the end-result the right strength.

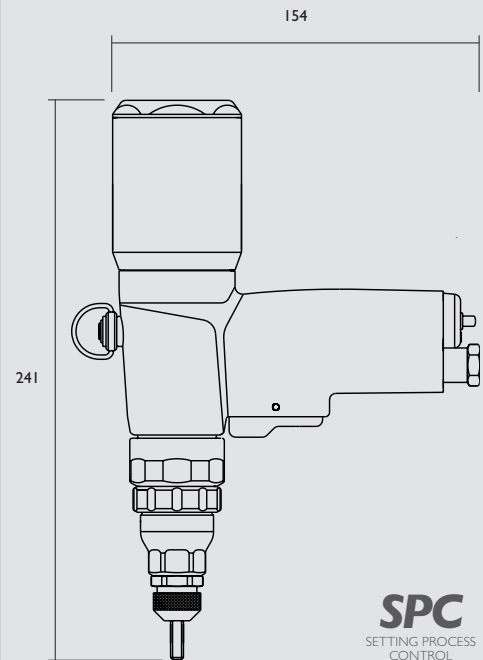
## TECHNICAL DATA XT206

Working pressure	5 - 7 bar
Pull Force (at 6 bar)	10 kN
Stroke	0 - 4 mm
Cycle time	< 2.0 sek
Noise level	< 75 dB (A)
Delivered ready equipped for	M4, M5, M6
Weight	1.3 kg
Height	154 mm
Length	241 mm

## BLINDNITMUTTER

Material	M3	M4	M5	M6	M8	M10
Steel	X	X	X	X		
Aluminum	X	X	X	X	X	
Stainless steel	X	X	X			

X = Recommended working range



There are three XT models in the range, designed to accommodate most rivet nut sizes and materials (see table).

**XT206** is the lightweight model designed for smaller rivets.

**XT810** is the standard model covering a wide range of applications.

**XT912** is designed for heavy-duty applications such as M10 and M12 Stainless steel.

Lindova on [YOUTUBE.COM](http://YOUTUBE.COM)

ADDRESS: LINDOVA AB, STAFETTGAN 1, SE-711 34 LINDESBERG  
 TEL: +46 581 886 50 FAX: +46 581 886 59  
 INTERNET: [WWW.LINDOVA.COM](http://WWW.LINDOVA.COM) E-MAIL: [INFO@LINDOVA.SE](mailto:INFO@LINDOVA.SE)

# LINDOVA